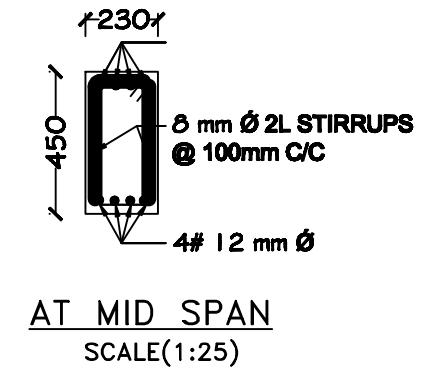
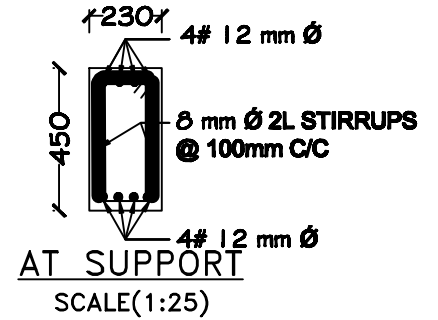
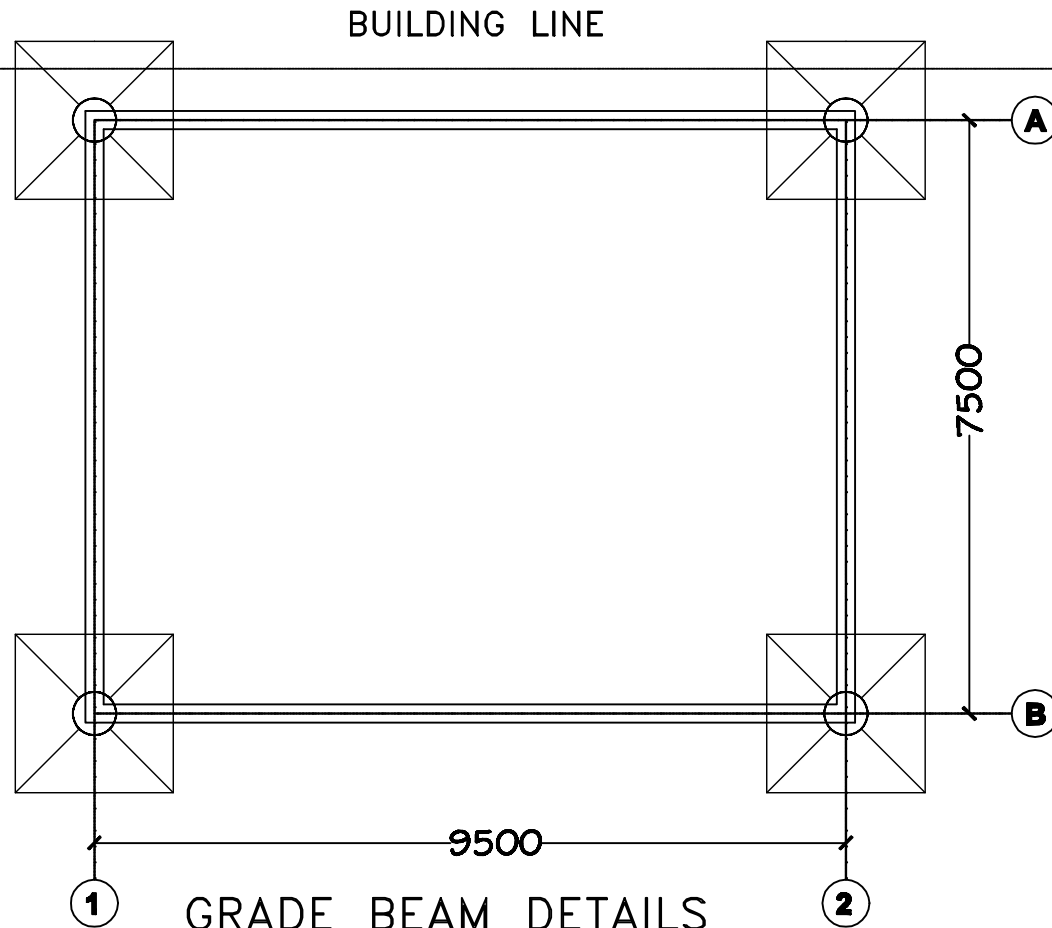


IMPORTANT NOTES:

1. THIS DRAWING SHOULD BE READ ALONG WITH ARCHITECTURAL DRAWINGS
2. GRADE OF CONCRETE MIX SHALL BE M20 CONFORMING TO IS:456-2000
3. REINFORCEMENT SHALL BE HIGH STRENGTH DEFORMED BARS OF GRADE FE-415 CONFORMING TO IS:1786-2000
4. CLEAR COVER TO THE MAIN STEEL
 - (a) 50MM FOR FOOTING
 - (b) 40MM FOR COLUMNS
 - (c) 30MM FOR LINTEL & BEAMS
 - (d) 20MM FOR SUNSHADE & SLAB
5. NOT MORE THAN HALF THE COLUMN BARS SHALL BE LAPPED AT A SECTION
6. LAP LENGTH SHALL BE 50 TIMES THE DIAMETER OF BAR.
7. PROVIDE CONTINUOUS CHAIRS TO KEEP THE TOP REINFORCEMENTS IN POSITION IN SLABS.
8. SPACER BAR TO BE PROVIDED IN BETWEEN TWO LAYERS OF REINFORCEMENT OF SAME DIA AT EVERY 1000 C/C
9. NOT MORE THAN 40% OF REINFORCEMENT SHALL BE LAPPED AT ANY PARTICULAR JUNCTION.
10. CANTILEVER PROPS SHOULD NOT BE RELEASED UNTILL THE ROOF IS CONCRETED.



SBC -10T/M2 @ M BELOW GL

DRAWING NO: -J /SERD/Dt.

DIRECTORATE OF RURAL DEVELOPMENT AND PANCHAYAT RAJ			
SCALE 1:100	DATE:	ALL DIMENSIONS ARE IN mm	
AE	AEE	JOB NO:	DRAWING NO:2/4
EE	SE		
PORTICO FOR PANCHAYAT UNION OFFICE BUILDING			
PLAN, ELEVATION AND SECTION.			